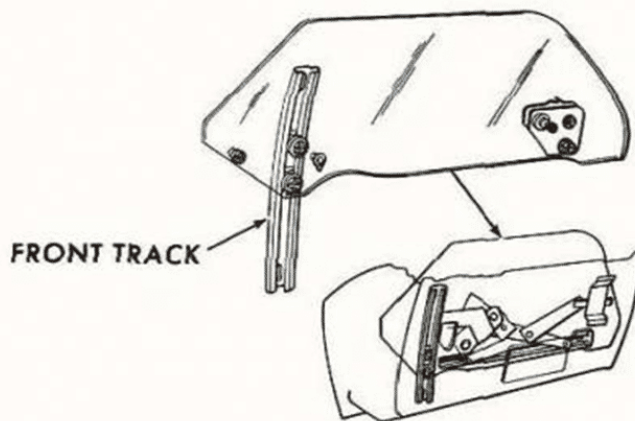


**BARRACUDA - CHALLENGER
VENTLESS DOOR GLASS**

FIGURE - 9

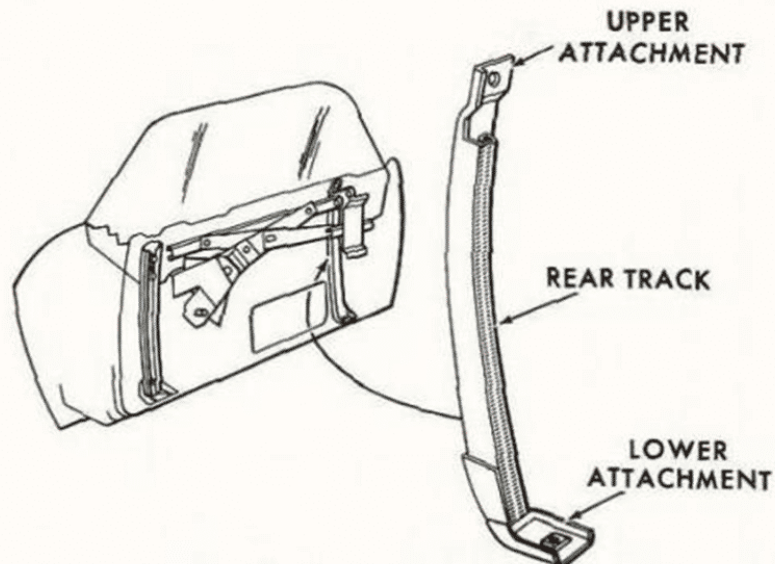
- . All Barracuda and Challenger Models will use the ventless front door glasses.



BARRACUDA - CHALLENGER DOOR GLASS

FIGURE - 14

- . The Barracuda-Challenger front door glass is removed with the front track attached to the glass.
- . The front track upper and lower attaching screw must be removed as well as the two lower glass frame attaching screws.



BARRACUDA - CHALLENGER DOOR - REAR TRACK ATTACHMENT

FIGURE - 15

- . The Barracuda and Challenger's rear track has two attaching points, one at the top of the track and one at the lower end. When the glass is being removed, it may be necessary to loosen the rear track to remove the glass.

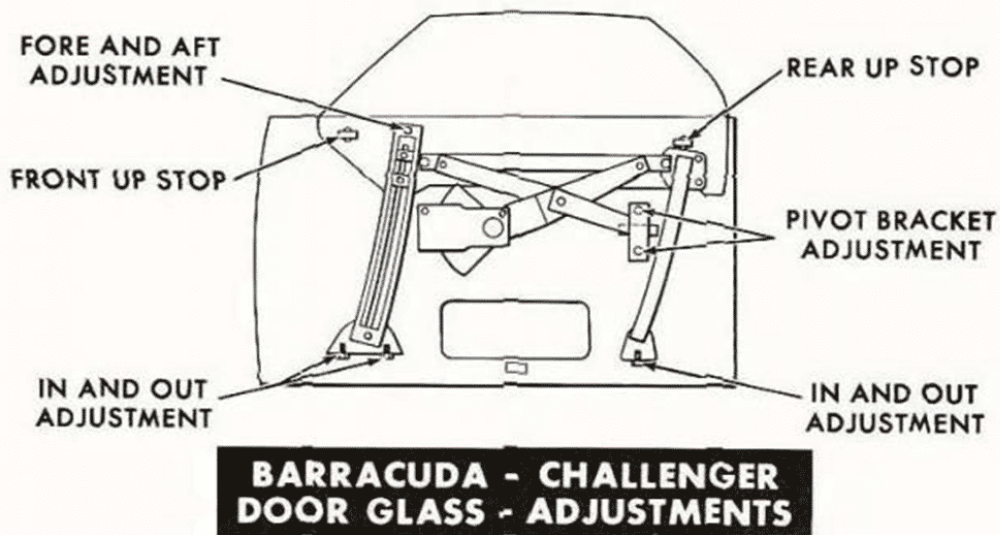


FIGURE - 17

- The Barricuda and Challenger front door glass can be adjusted in and out and fore and aft at the front track upper and lower attachments. The rear track at the lower attachment can be moved fore and aft and in and out. The glass can be tilted by loosening the pivot bracket.

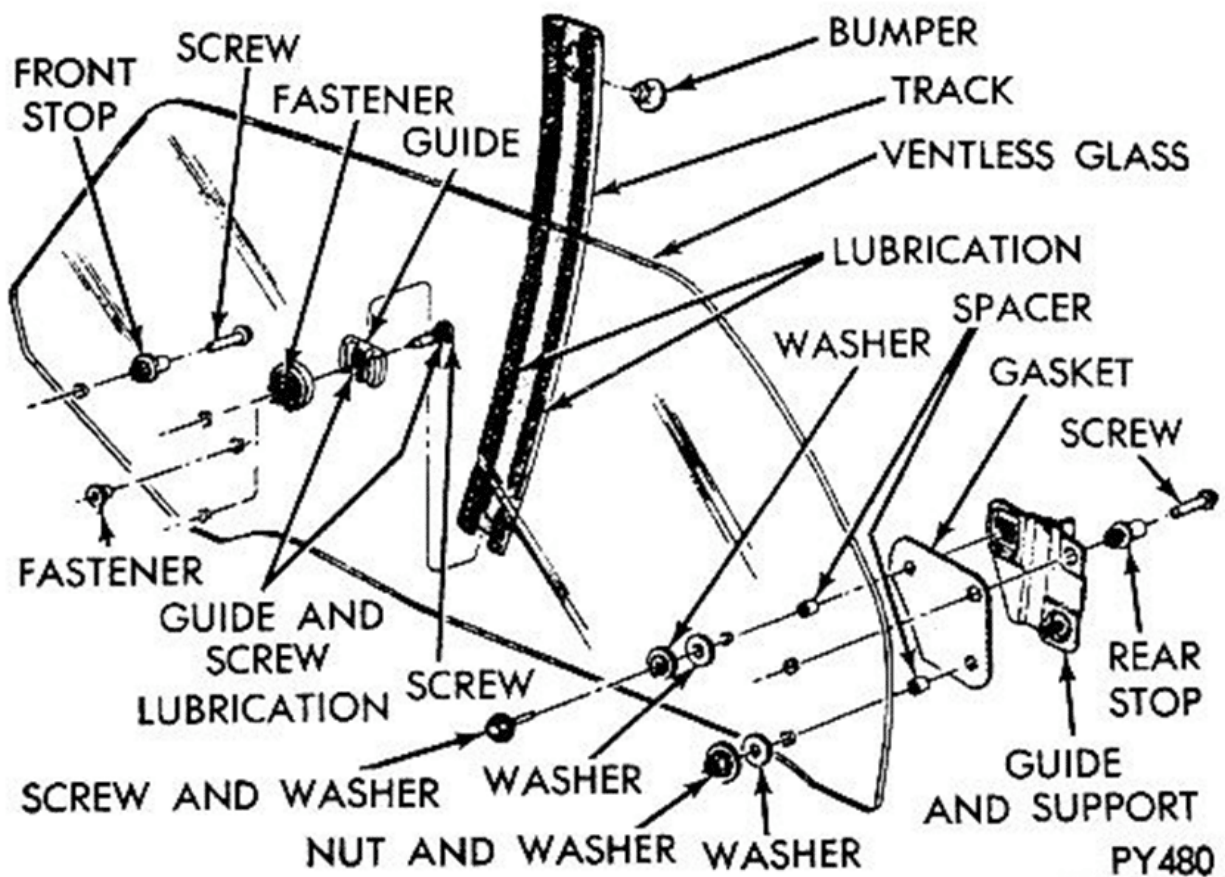


Fig. 38—Glass Assembly—Ventless

PY480
 SEEN ON
 E-Bodies